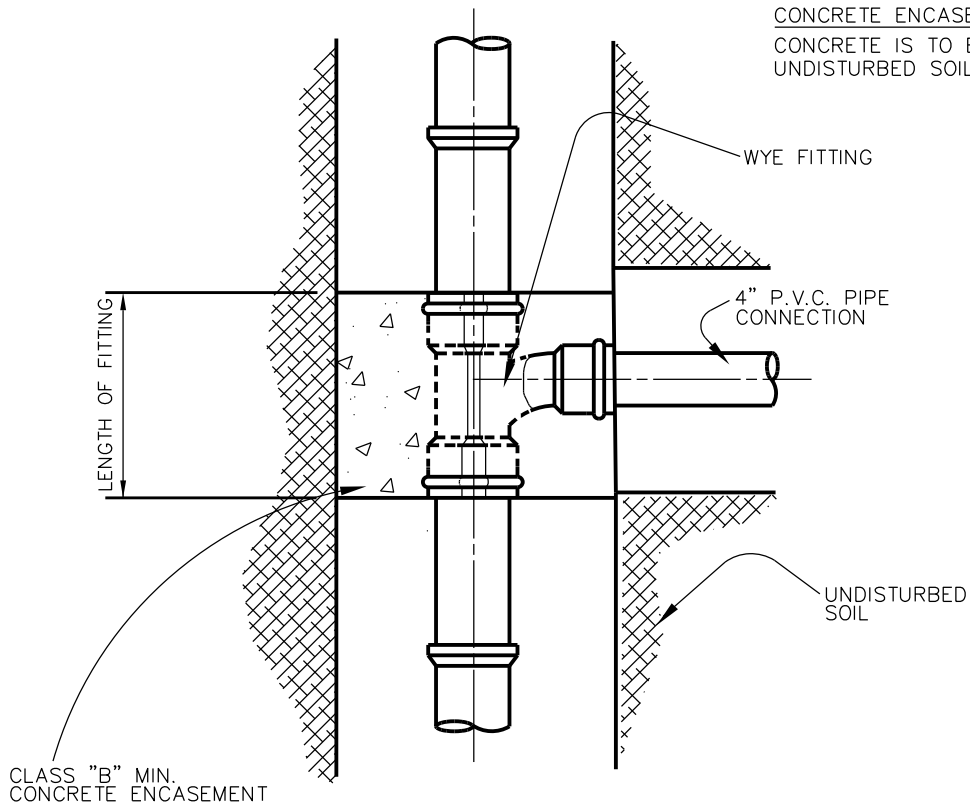
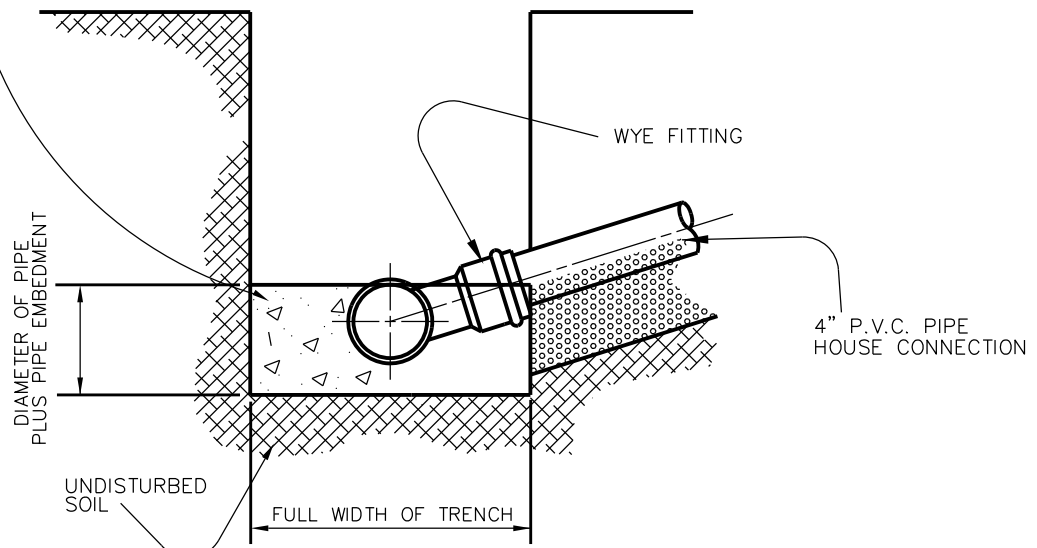


CONCRETE ENCASEMENT NOTE:  
CONCRETE IS TO BE POURED AGAINST  
UNDISTURBED SOIL.



**PLAN VIEW**



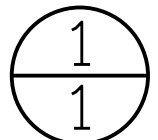
**SECTION THRU TRENCH**  
**TYPICAL SEWER**  
**SERVICE CONNECTION**

N.T.S.

GENERAL NOTES:

1. A RESIDENTIAL DOUBLE CLEANOUT IS REQUIRED AT THE PROPERTY LINE SEE TYPICAL WASTEWATER DOUBLE CLEANOUT SERVICE CONNECTION DETAILS.
2. SEWER SERVICE LATERAL IS TO BE:
  - A. P.V.C.—SDR 35
  - B. MINIMUM OF 4" IN DIAMETER
3. EMBEDMENT OF LATERAL: PER EMBEDMENT DETAIL.

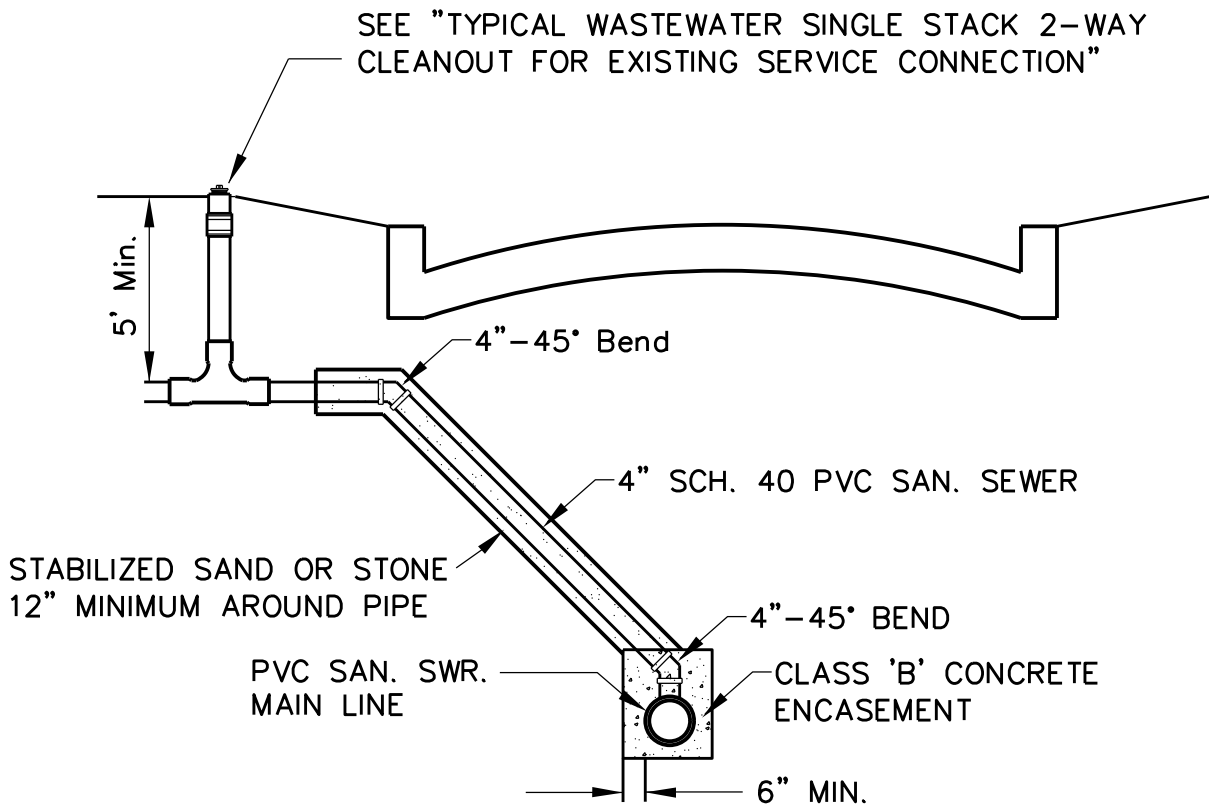
Revision Date:  



Scale : N/A	Date : 06/01/05
Design :	
Drawn : JMK	
Dwg. File : LAT_001.DWG	
Project No. : STANDARD-DETAILS	

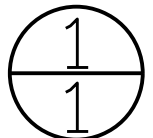


**WASTEWATER**  
**SERVICE CONNECTION**



**DEEP CUT WASTEWATER CONNECTION**  
**FOR MAIN LINE CONNECTION 12' OR DEEPER**

(N.T.S.)



Revision Date: 01/09

Scale : N/A Date : 06/01/05  
 Design :  
 Drawn : GAV  
 Dwg. File : LAT\_002.DWG  
 Project No. : STANDARD-DETAILS

  
**GARLAND**  
 ENGINEERING  
 STANDARD DETAILS

**DEEP CUT WASTEWATER  
 CONNECTION FOR SERVICE  
 CONNECTION 12' OR DEEPER**

PAGE

**2**